

PRODOPTIM
Slide moving table to open moulds

Mould Splitting Tables



Mould Splitting Tables

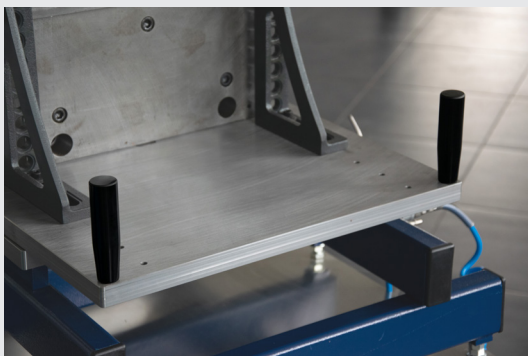
Designed for easy handling of moulding tools, these tables will simplify your maintenance tasks.

Moulds can be opened and closed within seconds, allowing quick access to different parts. With a wide range of customisable options, these tables can be adapted to suit any type of mould, ensuring both efficiency and safety.

These tables streamline the process of opening, closing and accessing mould components for maintenance, repairs, cleaning or assembly, making it an essential tool for manufacturing and fitting operations.

Each turntable is now equipped with 2 handles for easy handling.

New



New option available: KITAIR
composed of:

- 1 inlet fitting
- 2 outlet fittings
- 1 metal blowgun

MADE IN FRANCE

Advantages...

01.

SAFETY



Staff safety
Equipment protection
Reduction of work load

02.

VARIOUS SIZES



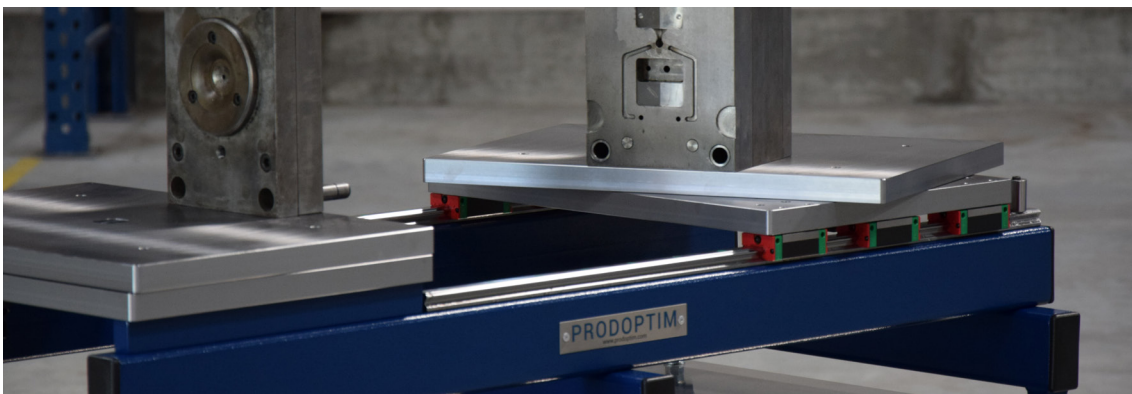
1500 kg
2000 kg
3000 kg
6000 kg

03.

PRODUCTIVITY



Time-saving
Ease of implementation
Space-saving







Contents

Moulds from 1,5 to 3t

- p. 06 Standard table
- p. 08 Table with smooth plates for magnetic brackets
- p. 10 Table with T-slots plates for mechanical brackets
- p. 12 Table with M8 threaded plates for forged brackets

Moulds up to 6t

- p. 14 Standard table
- p. 16 Table with smooth plates for magnetic brackets
- p. 18 Table with T-slots plates for mechanical brackets
- p. 20 Table with M8 threaded plates for forged brackets

- p. 22 Options available for tables from 1.5 to 6 Tonnes

- p. 24 Order Form

Standard Mould Table

OPTIM1T | OPTIM2T | OPTIM3T



SERIES 1,5 TO 3 TONS

Technical Specification

Maxi load	1500 kg, 2000 kg, 3000 kg
Length	1210 mm
Width	590 mm
Plates dimensions	500 x 350 mm
Working height with extension table	830 mm
Opening stroke	428 mm

References

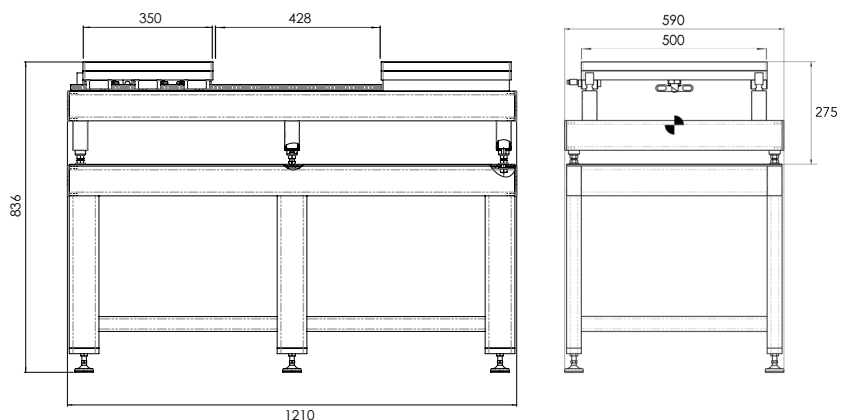
OPTIM1T	Standard moulding table 1,5T
OPTIM2T	Standard moulding table 2T
OPTIM3T	Standard moulding table 3T

Options

OPTIMBLOC	Manual clamping
BWR260/90S	Magnetical bracket 285/195x45mm
OPTIMTIROIR	Drawer blocks
KITAIR	Metal blowgun kit

Advantages

- Mould maintenance without electricity or compressed air
- Ease of use, 1 fixed platen, 1 movable platen
- Rotation of 360° of the mobile part with indexing every all 90° and integrated handles
- Immobilization of the mobile table in back position
- Mechanical guidance
- ISPM15 treated wooden box packaging

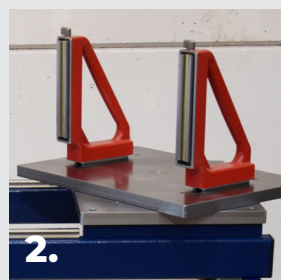


Options

Each table is made to measure in our workshops in France.
It is possible to add options so that it is adapted to your needs.



1.



2.



3.



4.

1. Manual blocker / 2. Magnetic bracket / 3. Drawer block / 4. Metal blowgun kit

For all options see page 22

Mould Table with smooth plates for magnetic brackets

OPTIM1TXL | OPTIM2TXL | OPTIM3TXL



SERIES 1,5 TO 3 TONS

Technical Specification

Maximum load	1500 kg, 2000 kg, 3000 kg
Length	1500 mm
Width	690 mm
Plates dimensions	500 x 520 mm
Working height with extension table	830 mm
Opening stroke	428 mm

References

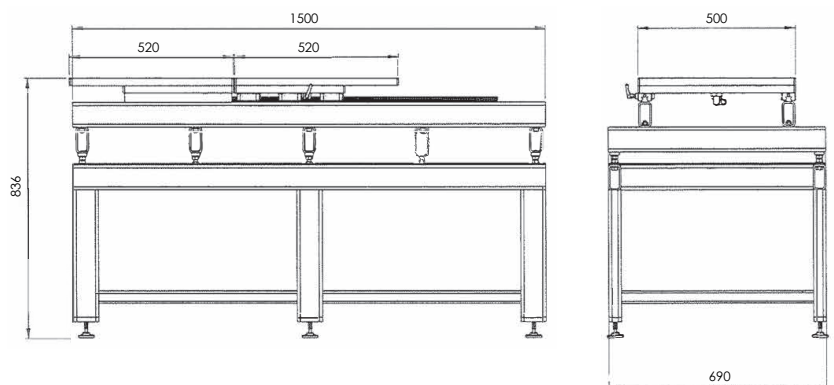
OPTIM1TXL	Moulding table 1,5T XL
OPTIM2TXL	Moulding table 2T XL
OPTIM3TXL	Moulding table 3T XL

Options

OPTIMBLOC	Manual clamping
BWR260/90S	Magnetical bracket 285/195x45 mm
OPTIMTIROIRXL	Drawer blocks
KITAIR	Metal blowgun kit

Advantages

- Ease of clamping
- Easy to move and use
- Clamping possible anywhere on the table
- Larger table width for positioning magnetic brackets
- Mould maintenance without electricity or compressed air
- Ease of use, 1 fixed platen, 1 movable platen
- Rotation of 360° of the mobile part with indexing every all 90° and integrated handles
- Immobilization of the mobile table in back position
- Mechanical guidance
- ISPM15 treated wooden box packaging
- 2 magnetic brackets included

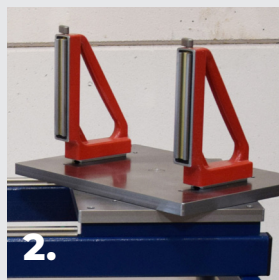


Options

Each table is made to measure in our workshops in France.
It is possible to add options so that it is adapted to your needs.



1.



2.



3.



4.

1. Manual clamp / 2. Magnetic bracket / 3. Drawer block / 4. Metal blowgun kit

For all options see page 22

Mould Table with T-slots plates for mechanical brackets

OPTIM1TEQ | OPTIM2TEQ | OPTIM3TEQ



SERIES 1,5 TO 3 TONS

Technical Specification

Maxi load	1500 kg, 2000 kg, 3000 kg
Length	1500 mm
Width	690 mm
Plates dimensions	500 x 520 mm
Working height with extension table	840 mm
Opening stroke	428 mm

References

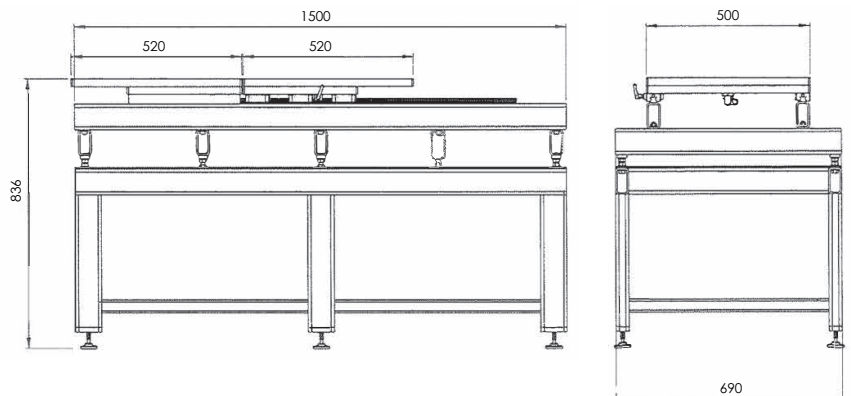
OPTIM1TEQ	Moulding table 1,5T EQ
OPTIM2TEQ	Moulding table 2T EQ
OPTIM3TEQ	Moulding table 3T EQ

Options

OPTIMEQ	Mechanical bracket
OPTIMBLOC	Manual clamping
OPTIMBRIDAGEQ	Clamping kit
OPTIMTIROIRXL	Drawer blocks
OPTIMBUT	Adjustable positioning stop
BWR260/90S	Magnetical bracket 285/195x45mm
KITAIR	Metal blowgun kit

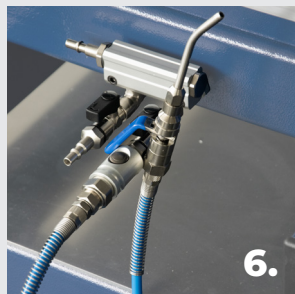
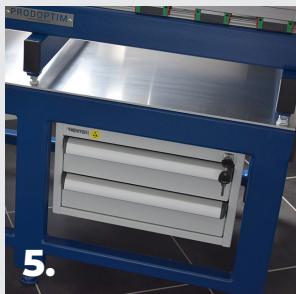
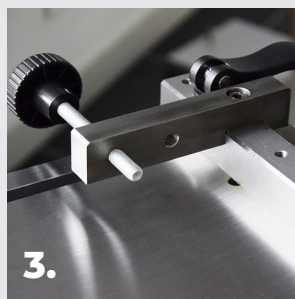
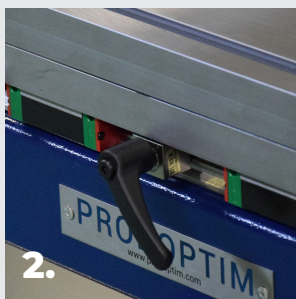
Advantages

- Optimum support
- The strongest table in the entire range
- Mould maintenance without electricity or compressed air
- Ease of use, 1 fixed platen, 1 movable platen
- Rotation of 360° of the mobile part with indexing every all 90° and integrated handles
- Immobilization of the mobile table in back position
- Mechanical guidance
- ISPM15 treated wooden box packaging
- 1 mechanical bracket included with clamping kit



Options

Each table is made to measure in our workshops in France.
It is possible to add options so that it is adapted to your needs.



1. Additional mechanical bracket / 2. Manual clamp / 3. Adjustable positioning stop /
4. Clamping kit (2 clamps + 2 quick-action clamps) / 5. Drawer block / 6. Metal blow-out kit /
7. Magnetic bracket

For all options see page 22

Mould Table with M8 threaded plates for forged brackets

OPTIM1TEQ02 | OPTIM2TEQ02 | OPTIM3TEQ02



SERIES 1,5 TO 3 TONS

Technical Characteristics

Maxi load	1500 kg, 2000 kg, 3000 kg
Length	1500 mm
Width	690 mm
Plates dimensions	500 x 520 mm
Working height with extension table	830 mm
Opening stroke	428 mm

References

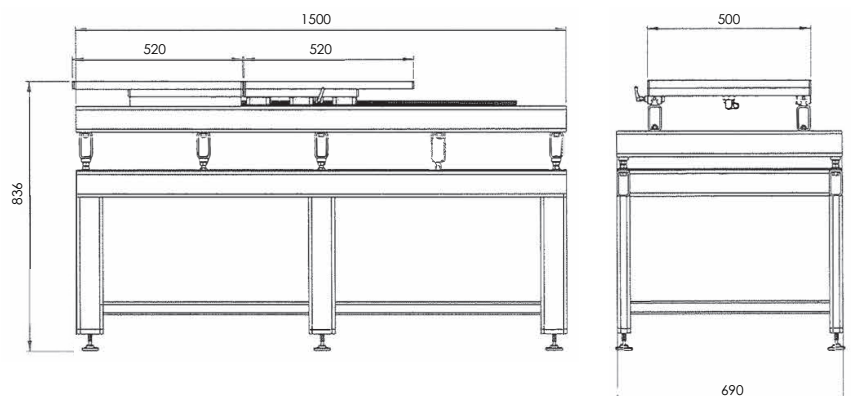
OPTIM1TEQ02	Moulding table 1,5T EQ02
OPTIM2TEQ02	Moulding table 2T EQ02
OPTIM3TEQ02	Moulding table 3T EQ02

Options

OPTIMEQ02	Standard table bracket OPTIM1T/2T/3TEQ02
OPTIMBRIDAGEQ02	Clamping kit
OPTIMTIROIRXL	Drawer blocks
BWR260/90S	Magnetical bracket 285/195x45mm
KITAIR	Metal blowgun kit

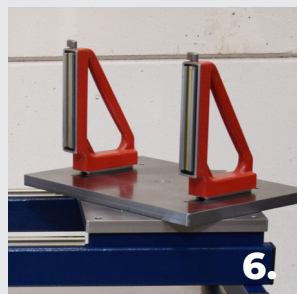
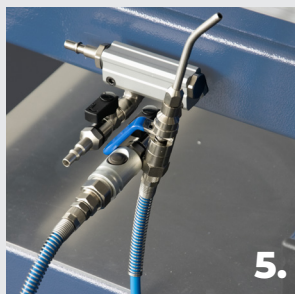
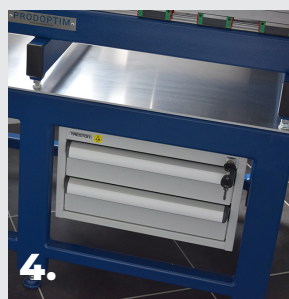
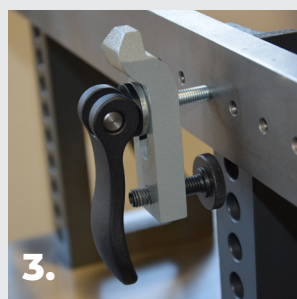
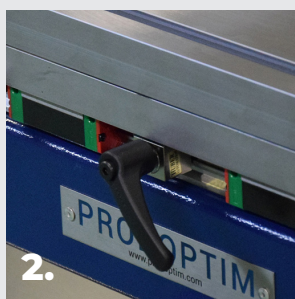
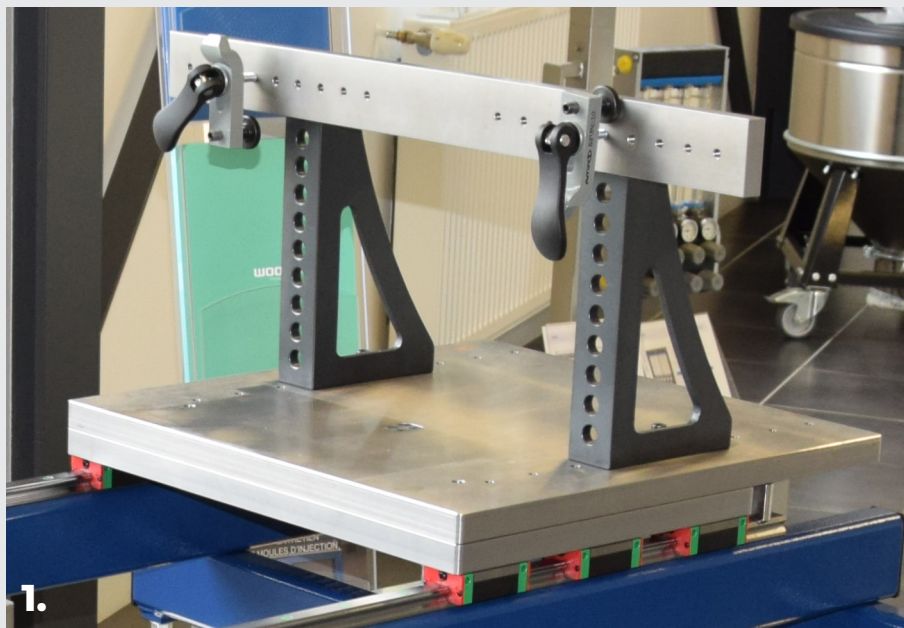
Advantages

- Flexible clamping
- Easy to use with a lighter bracket
- Mould maintenance without electricity or compressed air
- Ease of use, 1 fixed platen, 1 movable platen
- M8 threaded plates
- Rotation of 360° of the mobile part with indexing every all 90° and integrated handles
- Immobilization of the mobile table in back position
- Mechanical guidance
- ISPM15 treated wooden box packaging
- 1 forged bracket included with clamping kit



Options

Each table is made to measure in our workshops in France.
It is possible to add options so that it is adapted to your needs.



1. Additional forged bracket / 2. Manual clamp / 3. Clamping kit (2 clamps + 2 quick-action clamps) / 4. Drawer block / 5. Metal blow-out kit / 6. Magnetic bracket

For all options see page 22

Standard Mould Table

OPTIM6T



SERIE 6 TONS

Technical Specification

Maxi load	6000 kg
Length	1660 mm
Width	660 mm
Plates dimensions	600 x 470 mm
Working height with extension table	850 mm
Opening stroke	657 mm

Reference

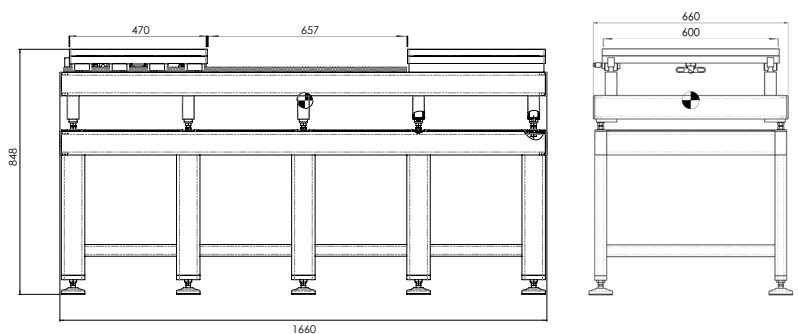
OPTIM6T Standard moulding table 6T

Options

OPTIMBLOC	Manual clamping
OPTIMTIROIR6T	Drawer blocks 6T
BWR260/90S	Magnetical bracket 285/195x45mm
KITAIR	Metal blowgun kit

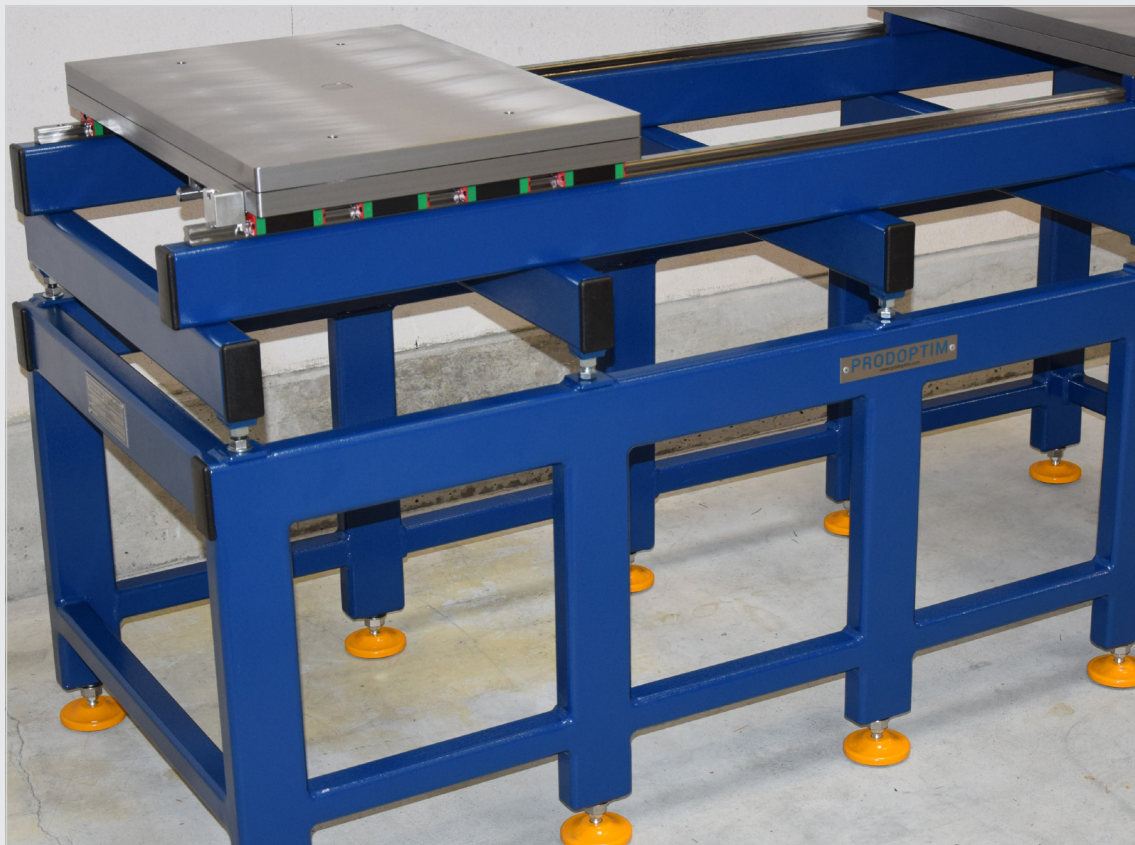
Advantages

- Ease of use, 1 fixed platen, 1 movable platen
- Rotation of 360° of the mobile part with indexing every all 90° and integrated handles
- Immobilization of the mobile table in back position
- Mechanical guidance
- ISPM15 treated wooden box packaging



Options

Each table is made to measure in our workshops in France.
It is possible to add options so that it is adapted to your needs.



1. Manual blocker / 2. Magnetic bracket / 3. Drawer block / 4. Metal blowgun kit
For all options see page 22

Mould Table with smooth plates for magnetic brackets

OPTIM6TXL



SERIE 6 TONS

Technical Specification

Maxi load	6000 kg
Length	2020 mm
Width	810 mm
Plates dimensions	600 x 640 mm
Working height with extension table	850 mm
Opening stroke	657 mm

Reference

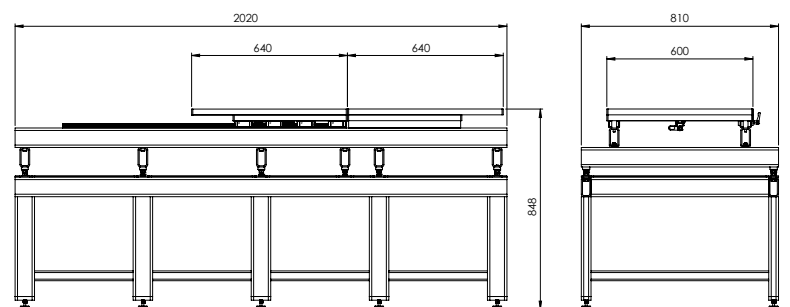
OPTIM6TXL Moulding table 6T XL

Options

OPTIMBLOC	Manual clamping
OPTIMTIROIR6TXL	Drawer blocks 6T XL
BWR260/90S	Magnetical bracket 285/195x45mm
KITAIR	Metal blowgun kit

Advantages

- Ease of clamping
- Easy to move and use
- Clamping possible anywhere on the table
- Ease of use, 1 fixed platen, 1 movable platen
- Rotation of 360° of the mobile part with indexing every all 90° and integrated handles
- Immobilization of the mobile table in back position
- Mechanical guidance
- ISPM15 treated wooden box packaging
- 2 magnetic brackets included

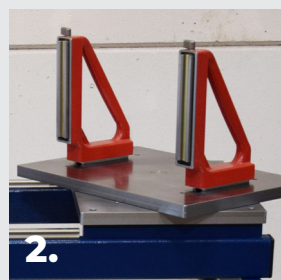


Options

Each table is made to measure in our workshops in France.
It is possible to add options so that it is adapted to your needs.



1.



2.



3.



4.

1. Manual blocker / 2. Magnetic bracket / 3. Drawer block / 4. Metal blowgun kit

For all options see page 22

Mould Table with T-slots plates for mechanical brackets

OPTIM6TEQ



SERIE 6 TONS

Technical Specification

Maxi load	6000 kg
Length	2020 mm
Width	810 mm
Plates dimensions	600 x 640 mm
Working height with extension table	850 mm
Opening stroke	657 mm

Reference

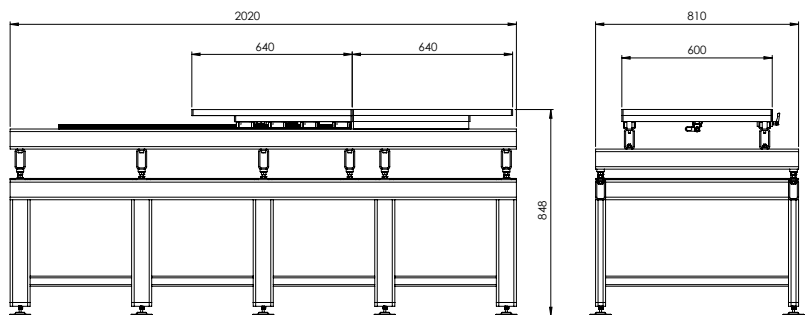
OPTIM6TEQ Moulding table 6T EQ

Options

OPTIMBLOC	Manual clamping
OPTIMTIROIR6TXL	Drawer blocks 6T XL
OPTIMBUT6T	6T Adjustable Positioning Stop
OPTIMEQ6T	Standard 6T mechanical bracket
BWR260/90S	Magnetical bracket 285/195x45mm
KITAIR	Metal blowgun kit

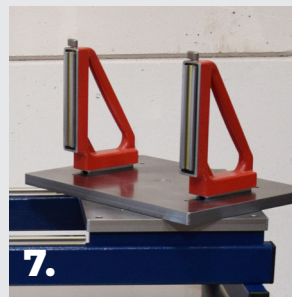
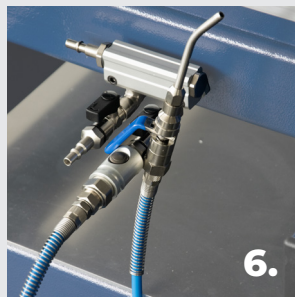
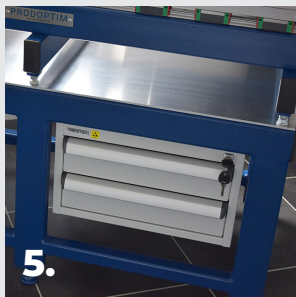
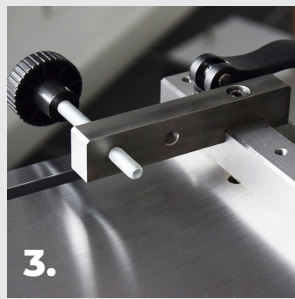
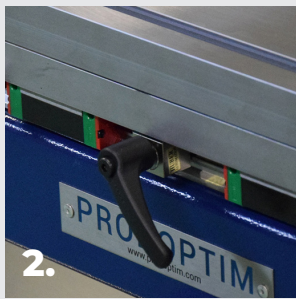
Advantages

- Optimum support
- The strongest table in the range
- Ease of use, 1 fixed platen, 1 movable platen
- Rotation of 360° of the mobile part with indexing every all 90° and integrated handles
- Immobilization of the mobile table in back position
- Mechanical guidance
- ISPM15 treated wooden box packaging
- 1 mechanical bracket included with clamping kit



Options

Each table is made to measure in our workshops in France.
It is possible to add options so that it is adapted to your needs.

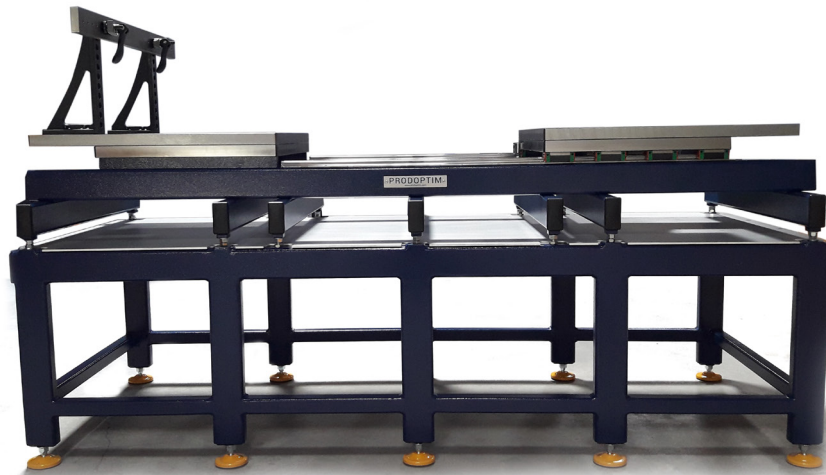


1. Additional mechanical bracket / 2. Manual clamp / 3. Adjustable positioning stop /
4. Clamping kit (2 clamps + 2 quick-action clamps) / 5. Drawer block / 6. Metal blow-out kit /
7. Magnetic bracket

For all options see page 22

Mould Table with M8 threaded plates for forged brackets

OPTIM6TEQ02



SERIE 6 TONS

Technical Specification

Maxi load	6000 kg
Length	2020 mm
Width	810 mm
Plates dimensions	600 x 640 mm
Working height with extension table	850 mm
Opening stroke	657 mm

Reference

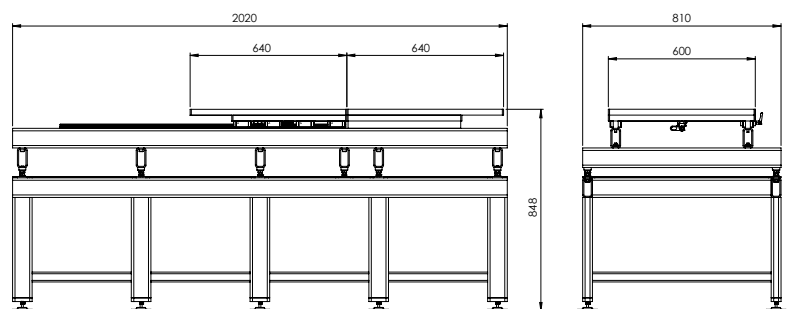
OPTIM6TEQ02 Moulding table 6T EQ02

Options

OPTIMBLOC	Manual clamping
OPTIMBRIDAGEQ02	Clamping kit
OPTIMTIROIR6TXL	Drawer blocks 6T XL
OPTIMEQ6T02	Standard 6T mechanical bracket
BWR260/90S	Magnetical bracket 285/195x45mm
KITAIR	Metal blowgun kit

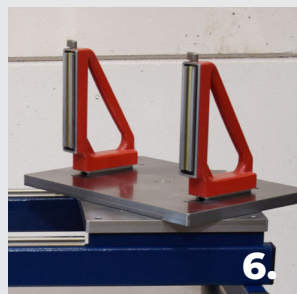
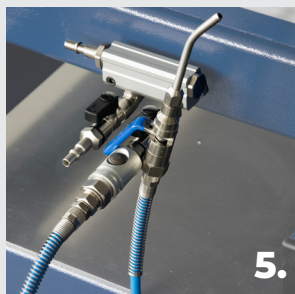
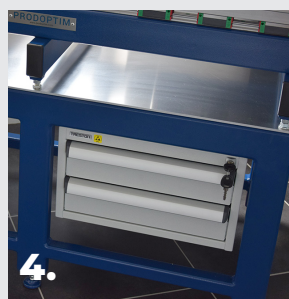
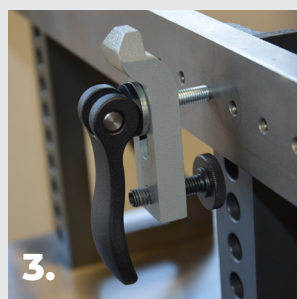
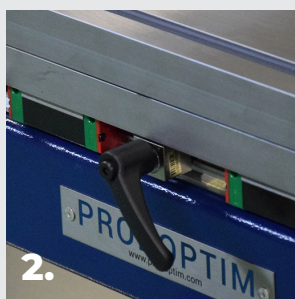
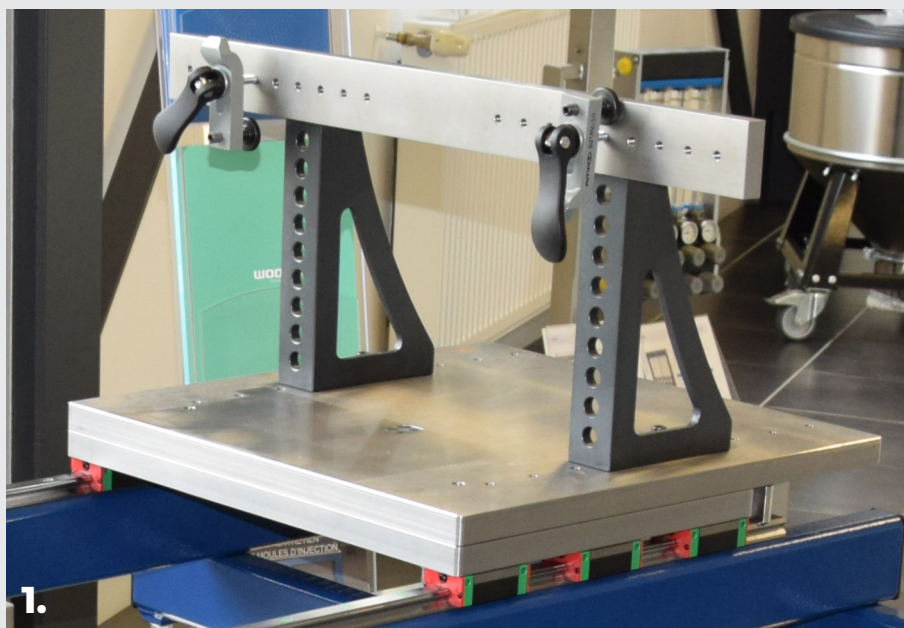
Advantages

- Easy to handle
- Flexible clamping
- Simplicity of use with a lighter bracket
- Easy to handle, 1 fixed table, 1 movable table
- 360° rotation of upper platens with 90° indexing and integrated handles
- Movable table immobilized in rear position
- Mechanical guidance
- ISPM15-treated wooden crate packaging
- 1 forged bracket included with clamping kit



Options

Each table is made to measure in our workshops in France.
It is possible to add options so that it is adapted to your needs.



1. Additional forged bracket / 2. Manual clamp / 3. Clamping kit (2 clamps + 2 quick-action clamps) / 4. Drawer block / 5. Metal blow-out kit / 6. Magnetic bracket

For all options see page 22

Options

Each table is made to measure, meaning you can specify your table to your exacting needs. Explore all the optional customisations and brackets available in detail.



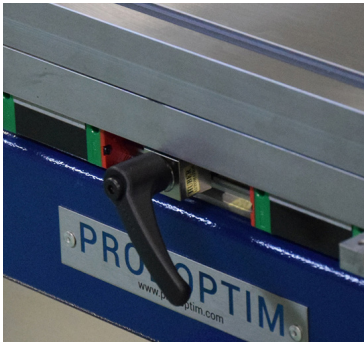
custom-made



Drawer blocks

Drawer blocks for storage, with integrated lock.

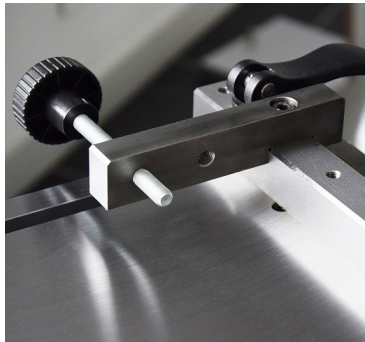
References	Compatibility
OPTIMTIROIR	OPTIM1T-2T-3T
OPTIMTIROIRXL	OPTIM1T-2T-3TXL-EQ-EQ02
OPTIMTIROIR6T	OPTIM6T
OPTIMTIROIR6TXL	OPTIM6TXL-EQ-EQ02



Manual clamping

Positioning of the movable tray with locking on the rails.

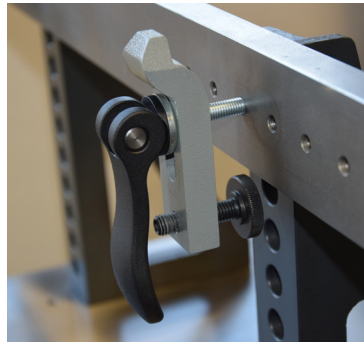
References	Description
OPTIMBLOC	Manual clamping pour table OPTIM



Positioning stop

Adjustment of the position of the mould on the table.

References	Compatibility
OPTIMBUT	OPTIM1T-2T-3TEQ
OPTIMBUT6T	OPTIM6TEQ



Clamping kit

Clamping kit with 2 clamps and 2 quick-release clamps.

References	Compatibility
OPTIMBRIDAGEQ02	OPTIM1T-2T-3T-6TEQ02
OPTIMBRIDAGEQ	OPTIM1T-2T-3T-6TEQ



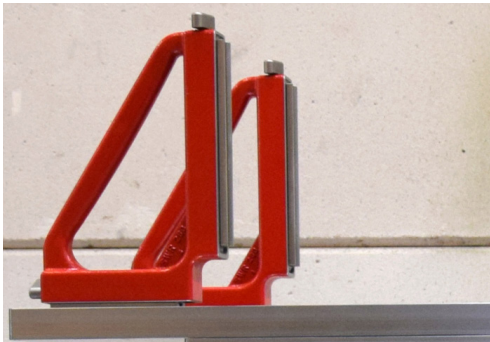
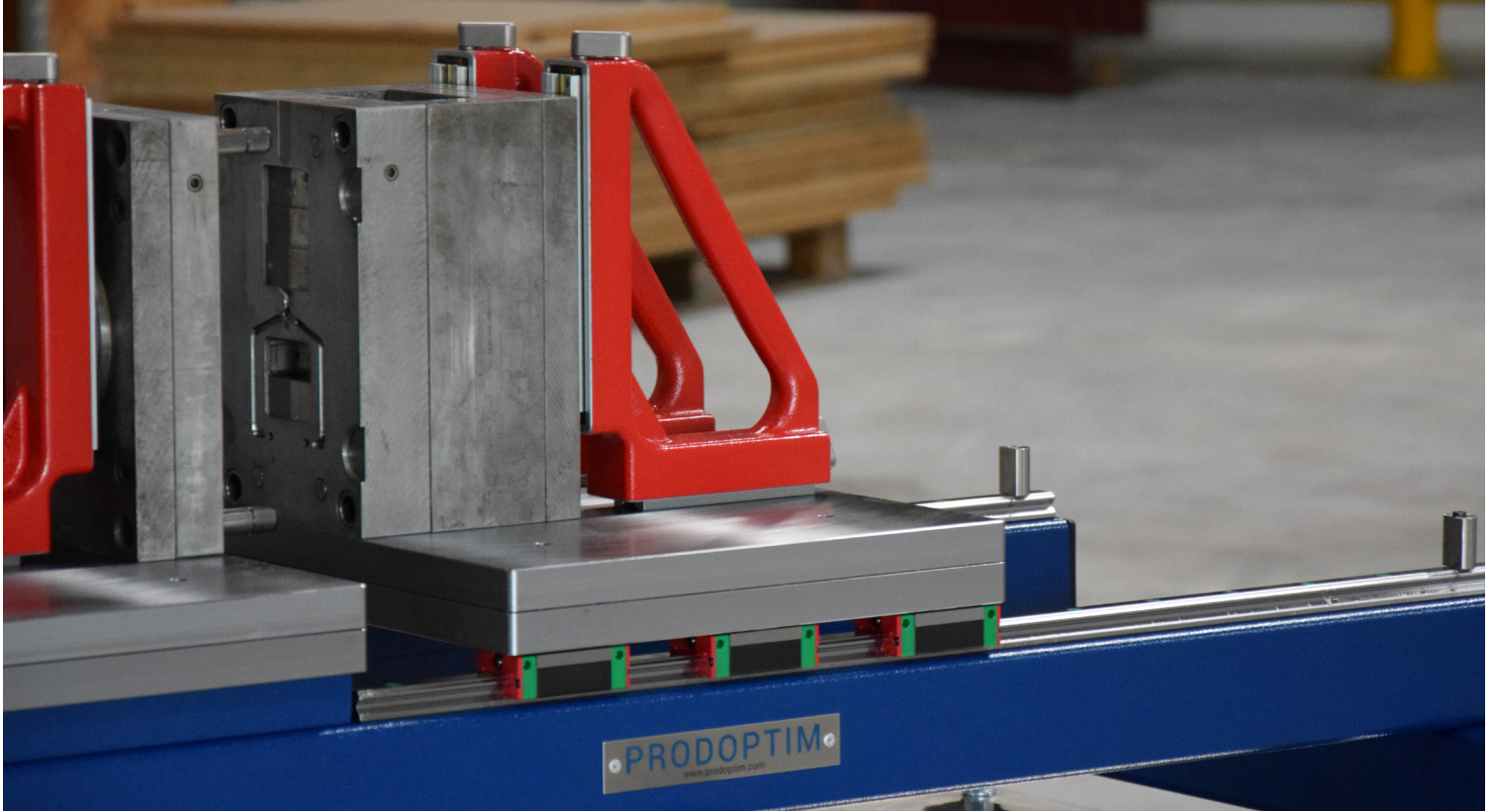
Metal blowgun kit

Metal blowgun for easy cleaning.

References	Description
KITAIR	Metal blowgun 1 inlet fitting type BBE06 2 outlet fittings type BBE06

Brackets

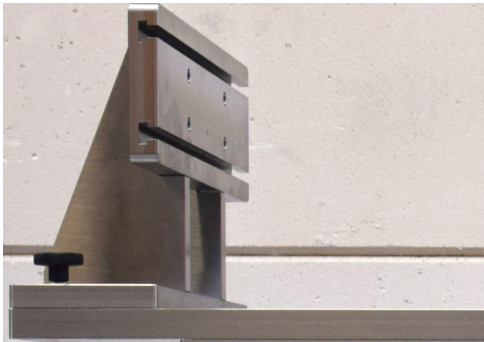
Choose from the three different bracket options available to suit your exacting needs.



Magnetical brackets

- Mould magnetical holding system
- Allow a free positioning on the plates
- Magnetic force desactivation / activation system
- Not appropriate for tools equipped by isolation plates

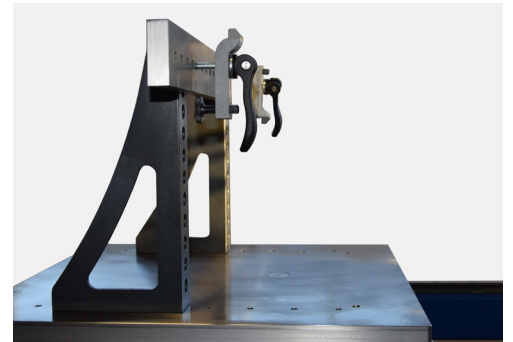
References	Length L (mm)
BWR260/90S	Magnetical bracket 285/195x45mm



Mechanical bracket

- Mould mechanical holding system
- Parallelism between bracket and mould

References	Compatibility
OPTIMEQ	Standard table bracket OPTIM1T-2T-3TEQ OPTIMBRIDAGEQ included
OPTIMEQ6T	Standard table bracket OPTIM6TEQ OPTIMBRIDAGEQ included



Forged bracket

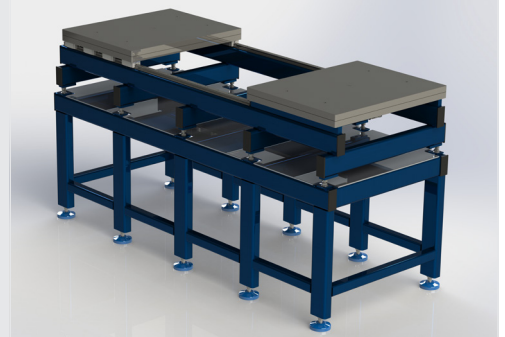
- Lightweight
- Easy to assemble
- Economical

References	Compatibility
OPTIMEQ02	OPTIM1T-2T-3TEQ02 (OPTIMBRIDAGEQ02 included)
OPTIMEQ6T02	OPTIM6TEQ02 (OPTIMBRIDAGEQ02 included)

SLIDE MOVING TABLE TO OPEN MOULDS

ORDER FORM

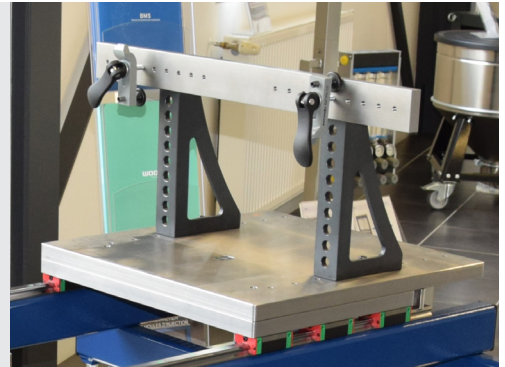
01. Weight of mould



- 1,5 Tons
- 2 Tons
- 3 Tons

- 6 Tons

02. Bracket type

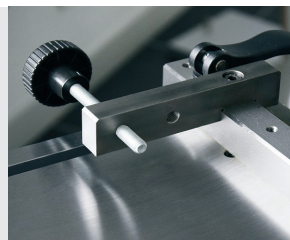


- Magnetic bracket

- Mechanical bracket (type EQ)

- Forged bracket (type EQ02)

03. Options for the mould table



- Drawer blocks

- Manual clamping

- Positioning stop

- Clamping kit
Compatible with EQ and EQ02 tables

- Metal blowgun kit

PRODOPTIM

Slide moving table to open moulds

Contact Us

If you would like to find out more information about our range of Mould Splitting Tables or to obtain a quotation, contact our dedicated Sales Team.

t: +33 4 50 27 29 00 info@bmsfrance.eu prodoptim.com